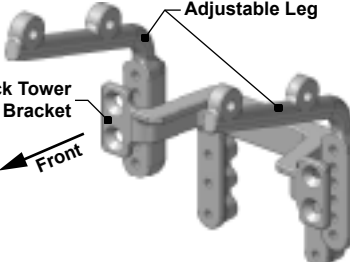


## #70860 - Traxxas Slash 2wd "No Clip" Body Mounts

**What's Included:** 1 - Front Body Mount, 1- Front Adjustable Catch, 1- Front Shock Tower Bracket, 4 - Body Buttons, 1 - Radiator, 2 - Fan Blades, 2 - Fan Shrouds, 2 - Lock Feet, 1 - Lock Plate, 2 - Adjustable Legs, 1 - Rear Shock Tower Bracket, 6 - M3 Locknuts, 4 - #4 Washers, 4 - M3 x 8mm Buttonhead Screws, 8 - M3 x 10mm Flathead Screws, 8 - M3 x 12mm Buttonhead Screws & 2 - M3 x 25mm Buttonhead Screws. □

**Before You Begin:** An installation video can be found on our website. Begin disassembly by removing the body from the truck and remove the stock body posts and body post mounts from both shock towers. If you have the On Board Audio System from Traxxas, it will not work with this body mounting system. Remove it at this time.

**Step #1**



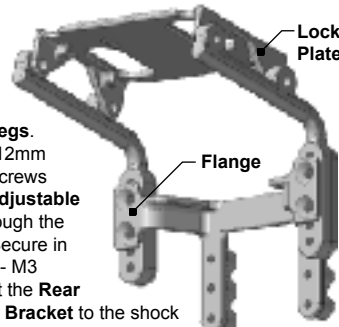
Adjustable Leg

Rear Shock Tower Bracket

Front

Bolt the **Adjustable Legs** to the **Shock Tower Bracket** using 4 - M3 x 10mm Flathead Screws. Counting from the top of the **Adjustable Legs**, the second and fourth holes will set your body at stock height.

**Step #2**

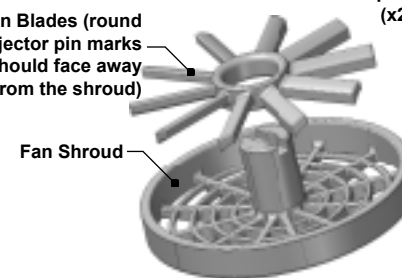


Lock Plate

Flange

Slide the **Lock Plate** in-between the top of the **Adjustable Legs**. Slip 4 - M3 x 12mm Buttonhead Screws through the **Adjustable Legs** and through the **Lock Plate**. Secure in place using 4 - M3 Locknuts. Bolt the **Rear Shock Tower Bracket** to the shock tower using stock screws in the upper two holes. The flange of the **Rear Shock Tower Bracket** should face *towards the front* of the truck.

**Step #3 (x2)**

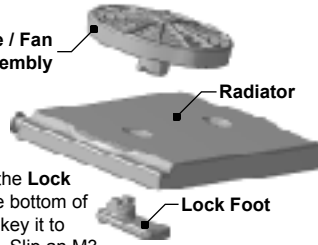


Fan Blades (round ejector pin marks should face away from the shroud)

Fan Shroud

Slip the **Fan Blade** over the post of the **Fan Shroud**, making sure the ejector pin marks on the **Fan Blade** face away from the **Fan Shroud**. Repeat for both **Fan Blades / Fan Shrouds**.

**Step #4 (x2)**



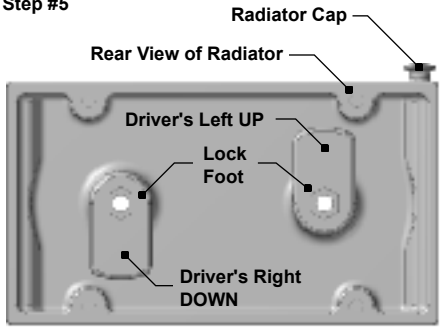
Fan Blade / Fan Shroud Assembly

Radiator

Lock Foot

Slide the **Fan Shroud / Fan Blade** through the top of the **Radiator**. Slide the **Lock Foot** through the bottom of the radiator and key it to the **Fan Shroud**. Slip an M3 Locknut into the bottom of the **Lock Foot**. Slip 1 - M3 x 25mm Buttonhead Screw through the top of the **Fan Shroud** and tighten with the locknut in the **Lock Foot**. The **Fan Shroud** should be able to rotate freely. Repeat for both **Fan Shrouds / Fan Blades**.

**Step #5**



Radiator Cap

Rear View of Radiator

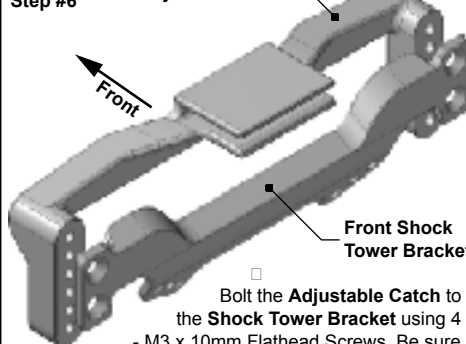
Driver's Left UP

Lock Foot

Driver's Right DOWN

Orient the **Lock Feet** as shown here. Failure to orient the **Lock Feet** correctly will make it difficult to attach the body of the truck to the **Lock Plate** after bolting the **Radiator** to the body.

**Step #6**

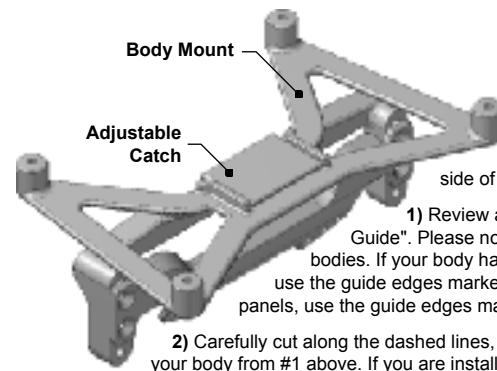


Adjustable Catch

Front

Front Shock Tower Bracket

Bolt the **Adjustable Catch** to the **Shock Tower Bracket** using 4 - M3 x 10mm Flathead Screws. Be sure to use the 2nd and 4th holes (the same holes as you did for the front in **Step #1**). Bolt the **Front Shock Tower Bracket** to the front shock tower using stock screws. The flange of the **Front Shock Tower Bracket** should face *towards the rear* of the truck.



The following instructions detail the process of installing the "No Clip" Body Mounts on to a stock Traxxas Slash 2wd body. **RPM** highly recommends installing on an unpainted, clear body for the best possible fit. It is possible to install this system on a painted body but it is much easier to see possible errors when the body can be seen through. Follow the instructions on the reverse side of this instruction sheet before proceeding.

**1)** Review and familiarize yourself with the included "Cut and Drill Guide". Please note that the guide can be used for two different style bodies. If your body has number plate panels just behind the passenger cabin, use the guide edges marked "**Number Plate**". If it does not have number plate panels, use the guide edges marked "**No Number Plate**".

**2)** Carefully cut along the dashed lines, making absolute certain you follow the lines denoting your body from #1 above. If you are installing these mounts on a clear, unpainted body, carefully cut out the screw hole positions in the guide as well. For painted bodies, leave the holes intact. Cut out the areas in the **Rear Guide** marked "Cut Out".

**3)** Starting at the rear, place the **Rear Guide** on the flat section of the **outside of the body** behind the cab, with the area labeled "Back Edge of . . . Passenger Cabin" touching the back edge of the cab. Center the guide as best as you possibly can from left to right, then carefully tape the guide to the body.

**4)** At the front, place the guide on the **inside of the body at the hood** of the truck. The area of the guide labeled "Edge of . . . Windshield" should rest against the base curve of the windshield. Again, center the guide as accurately as possible, then tape the guide to the body. If you are installing these mounts on a painted body, skip to #5b.

**5a)** For unpainted bodies, use a Sharpie or other felt tip marking pen and mark all 8 screw holes on the body (4 up front and 4 out back) and both **Lock Foot** cut-outs, then carefully remove the guides from the body. Slip the **Body Mount** into the **Adjustable Catch** up front as shown in the illustration above. Now carefully drop the body on to the **RPM** "No Clip" Body Mounts and check the alignment of the marked screw holes in both the front and rear. The front should align with the holes in the **Body Mount** or be slightly in front of these holes (some pre-load on the body will help prevent the body from slipping out of the **Adjustable Catch** on hard impacts). The rear should closely align with the notches in the **Lock Plate** (see the illustration below for reference). If the positions appear correct, you may drill out the 8 screw hole locations with a 1/8" drill (3.2mm) and cut out the **Lock Foot** areas (labeled "Cut Out"). It is best to paint the body at this time. Afterwards, skip to #6.

**5b)** For painted bodies, use a new X-acto blade and place it at the center cross-hairs of each of the screw hole locations. Twist the blade around the point to create a pilot hole for a drill. Do this for all 8 screw holes on the body (4 up front and 4 out back). Using a 1/8" (3.2mm) diameter drill, drill out the 8 screw holes. Afterwards, carefully cut out the **Lock Foot** sections in the rear (labeled "Cut Out"). □

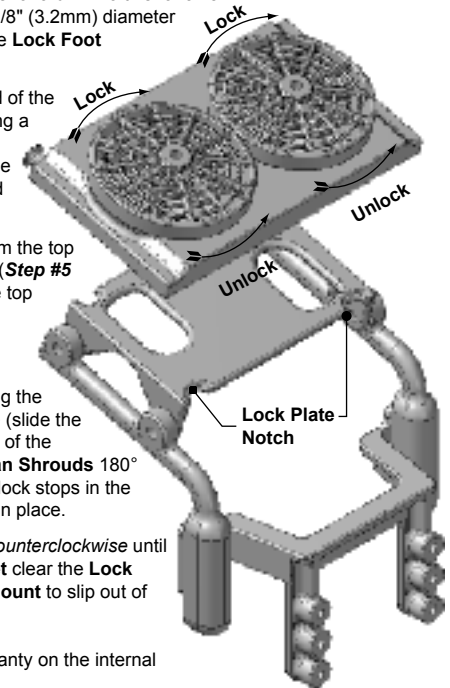
**6)** Starting at the front, bolt the **Front Body Mount** to the hood of the truck using 4 - M3 x 12mm buttonhead screws. If you're building a truck that you intend to abuse, be sure to use the 4 - **Body Buttons** included in this kit to prevent damage to the hood. The **Body Buttons** will go on top of the hood. They are not needed for display or show vehicles.

**7)** Slip the **Lock Feet** from the **Radiator** assembly through from the top of the body, making sure the **Lock Feet** are oriented correctly (**Step #5** from opposite side) and the **Radiator** "filler cap" is towards the top of the truck and on the driver's left side. Secure the **Radiator** assembly using 4 - M3 x 8mm buttonhead screws and 4 - #4 washers. Caution: Do not over-tighten these screws.

**8)** Installation of the body on the vehicle is as simple as slipping the front **Body Mount** into the **Adjustable Catch** as shown above (slide the body forward from the rear), then carefully drop the **Lock Feet** of the **Radiator** assembly through the **Lock Plate**, then rotate the **Fan Shrouds** 180° clockwise to lock the body in place. **Caution:** There are small lock stops in the **Lock Plate** you must rotate over in order to lock the assembly in place.

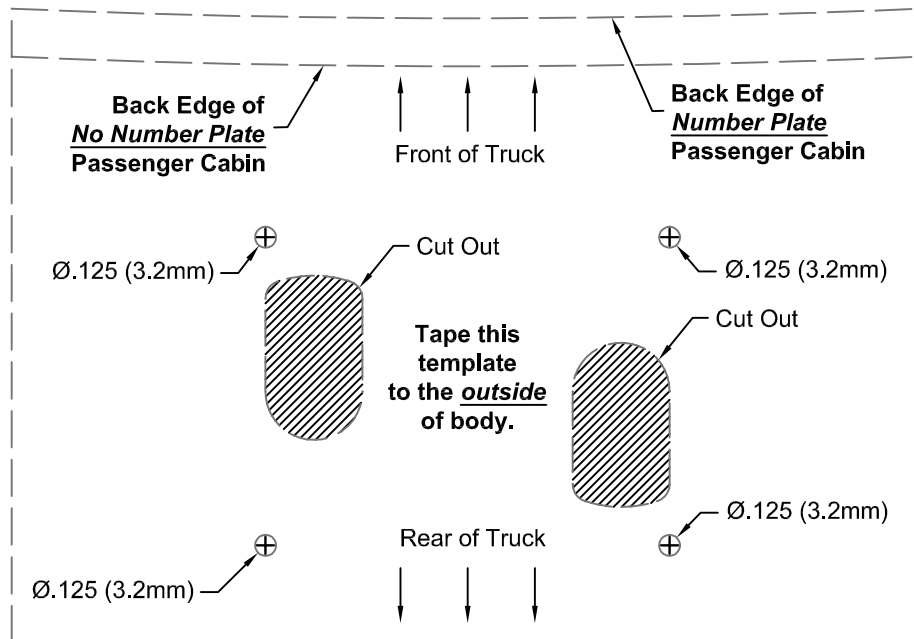
**9)** To remove the body, simply rotate the **Fan Shrouds** 180° counterclockwise until they stop, pull the rear of the body upwards until the **Lock Feet** clear the **Lock Plate**, then slide the body rearwards to allow the front **Body Mount** to slip out of the **Adjustable Catch**. □

**Caution:** Running the truck without the body will void the warranty on the internal components of this Body Mount system.



# #70860 & #70920 "No Clip" Body Mounts for the Traxxas Slash 2wd & Slash 4x4 Cut & Drill Guide

Rear guide for the proper placement of the "Radiator".



Cut Along Dashed Lines

Front guide for the proper placement of the Front Body Mount.

